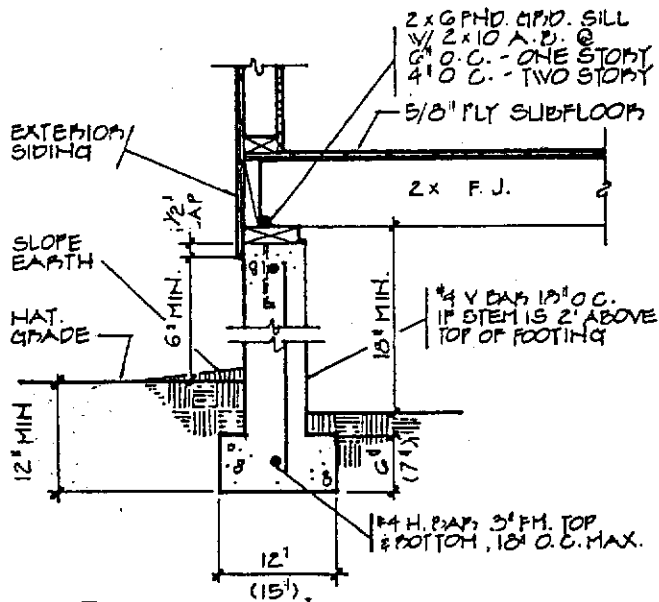


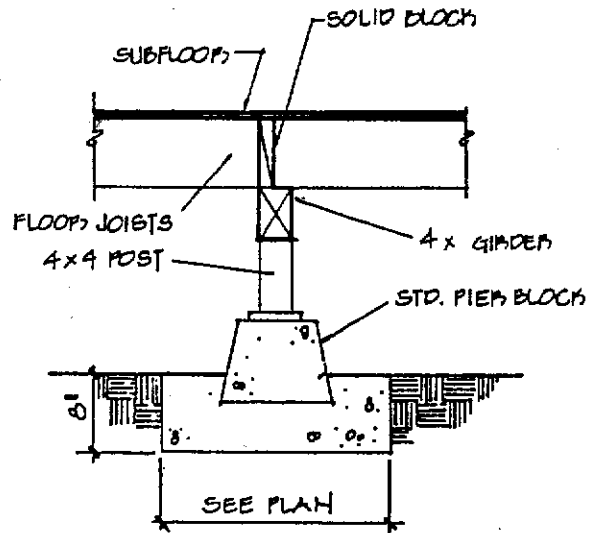
G

FRAMING AND FOUNDATION DETAILS - 3/4"=1'-0"

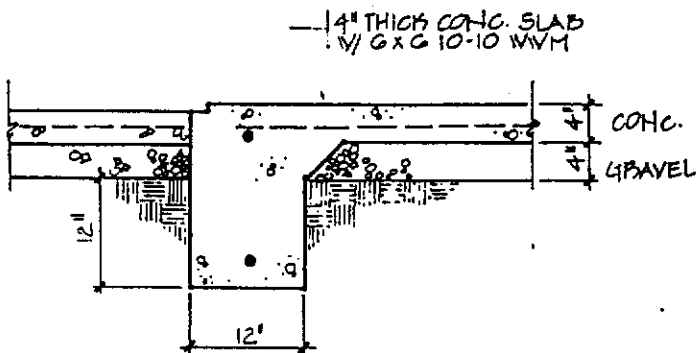
- Show all footing designs with appropriate reinforcements
- Special footing calculations shall be submitted where required by unconventional structural framing, a soils report, site and/or soils report.
- Indicate size and location of anchor bolts
- Show post and beam connections
- Engineered design for any masonry wall over 4' high



① TYPICAL EXT. FOOTING



② TYPICAL PIER FOOTING



③ TYPICAL GARAGE SLAB

➤ THESE PLANS ARE PROVIDED AS A GUIDE TO PLAN REQUIREMENTS AND IN NO WAY EXPRESS CODE REQUIREMENTS OR MINIMUM BUILDING STANDARDS.